

SECTION 8 CENTRE OF GRAVITY COMPUTER AND ILLUSTRATIONS

CONTENTS

| | <u>Page</u> |
|--|-------------|
| 8.1 Centre of Gravity Overlay | 8-1/2 |
| 8.2 Centre of Gravity Computer | 8-3 |
| 8.3 Principal Features | 8-5/6 |
| 8.4 Instrument Panel | 8-7/8 |
| 8.4A Instrument Panel (Mod 299) | 8-7A/8A |
| 8.4B Instrument Panel (Mod 368) | 8-7B/8B |
| 8.4C Instrument Panel (Mod 440) | 8-7C/8C |
| > 8.4D Instrument Panel (Mod 506A) | 8-7D/8D |
| 8.4E Instrument Panel (Mod 506B) | 8-7E/8E < |
| 8.5 Centre Console | 8-9/10 |

Last effective page is P.8-9/10



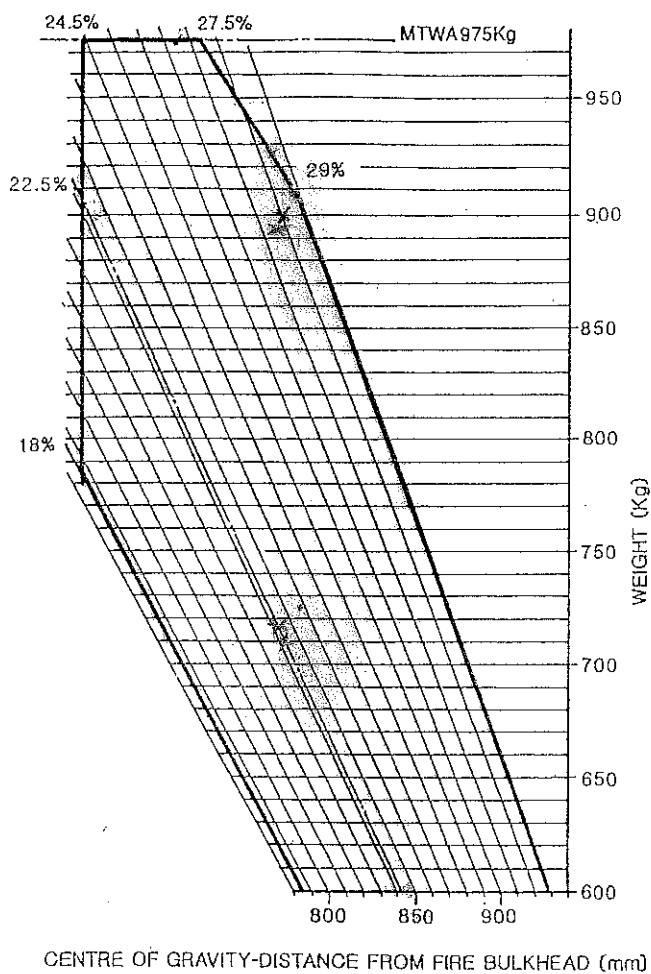
PILOTS NOTES
FIREFLY T67M-Mk II

INTENTIONALLY BLANK



PILOTS NOTES
FIREFLY T67M-MkII

8.1 CENTRE OF GRAVITY OVERLAY



INSTRUCTIONS FOR USE

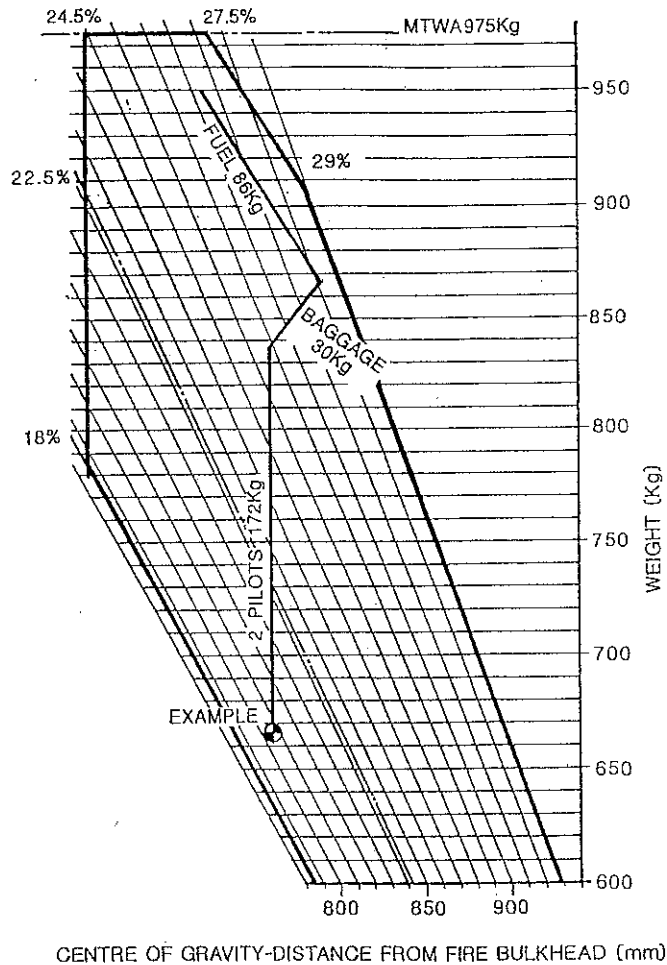
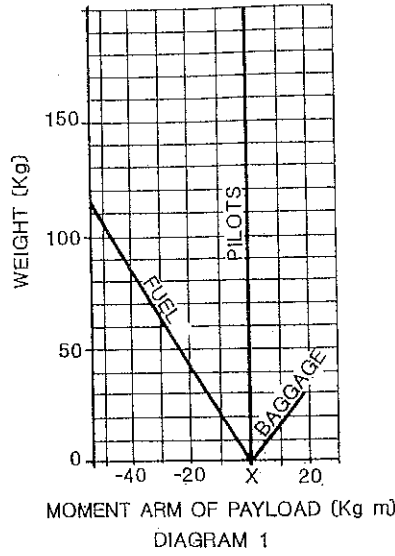
1. Plot on this overlay the weight and CG of the aircraft to be checked.
2. Position the point plotted in (1) over point 'X' on Diagram 1 and draw a trace along the pilots line representing the total weight of pilots to be carried.
3. The top end of this line now becomes your new datum point, which must be aligned with point 'X'. Then draw a trace along the baggage line representing the amount of baggage to be carried. ENSURE THAT THIS LINE FALLS WITHIN THE AREA OF THE ENVELOPE.
4. Using the end of this line as your new datum point, align it with position 'X' as before and trace along the fuel line the weight of fuel be carried. This will give you the position of CG for takeoff.

NOTE: When aligning diagrams check that all horizontals are parallel.



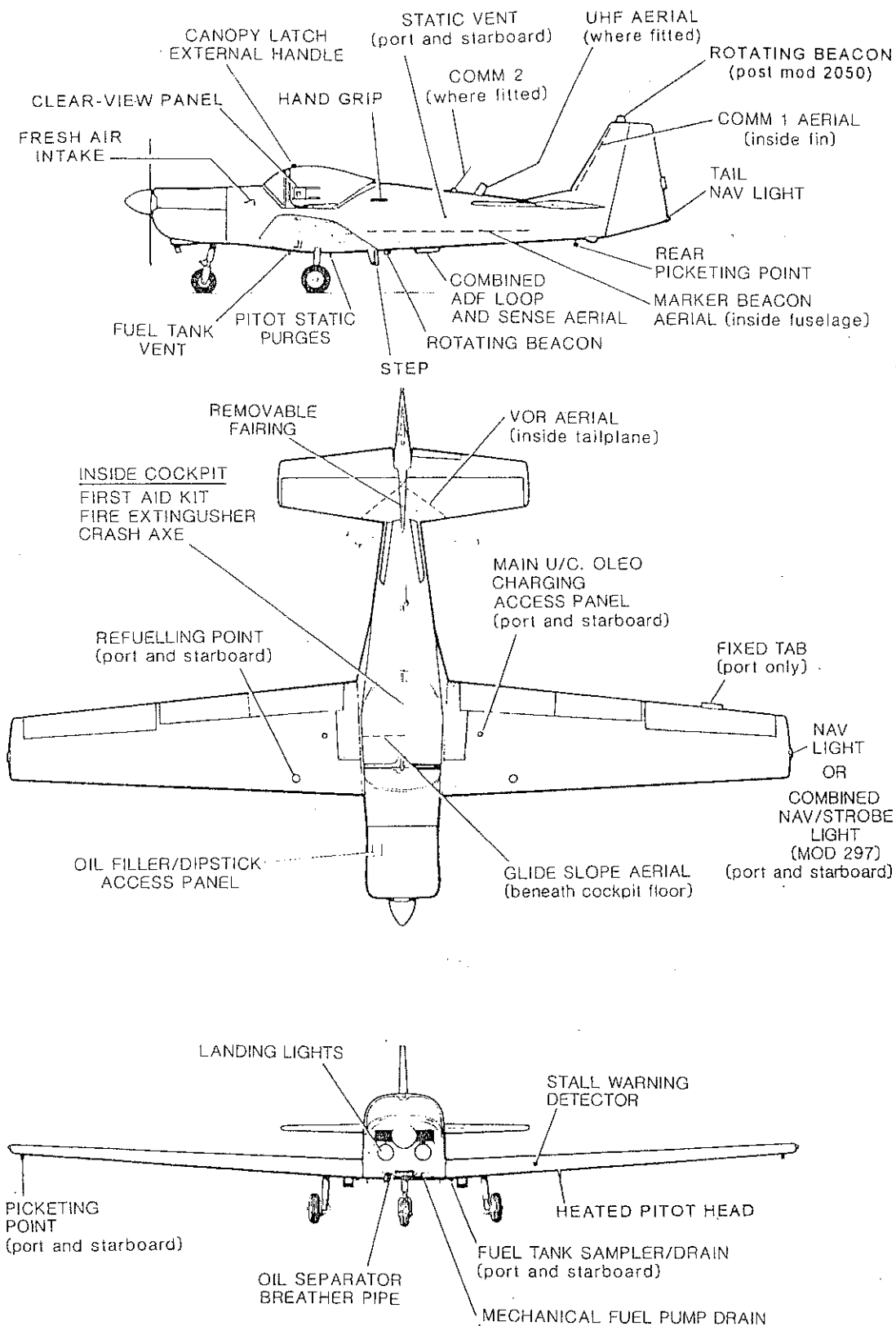
PILOTS NOTES
FIREFLY T67M-MKII

8.2 CENTRE OF GRAVITY COMPUTER

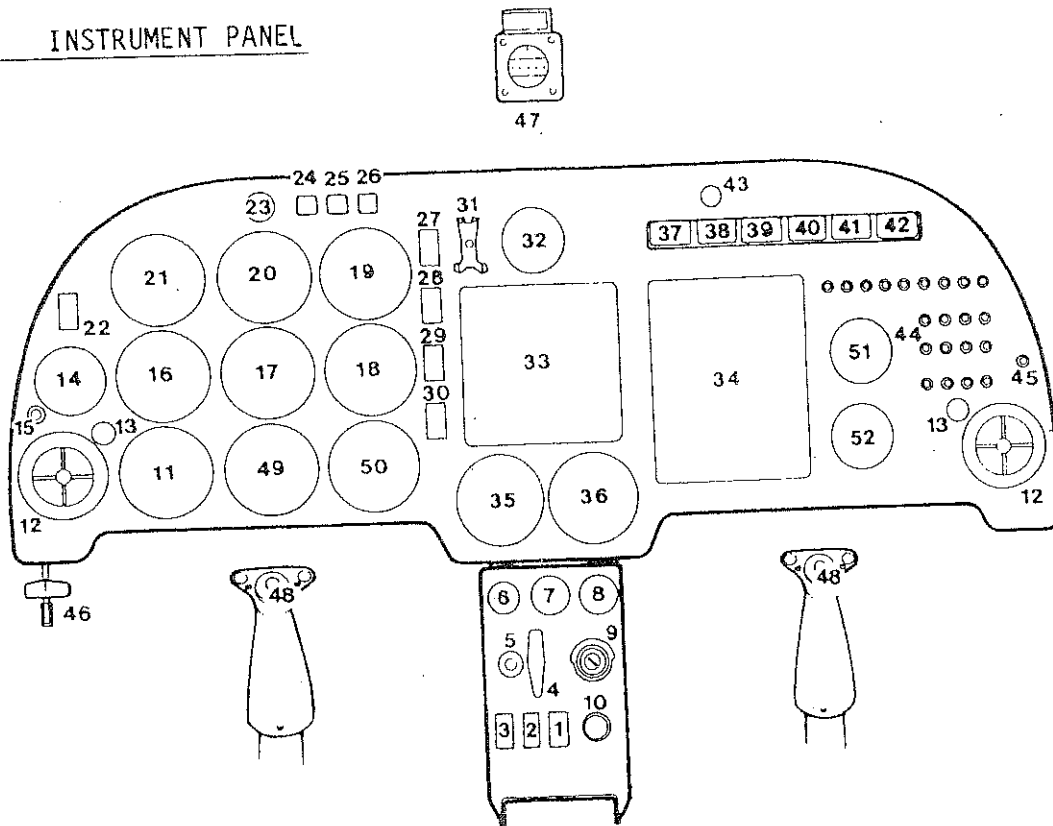


PILOTS NOTES
 FIREFLY T67M-MkII

8.3 PRINCIPAL FEATURES



8.4 INSTRUMENT PANEL



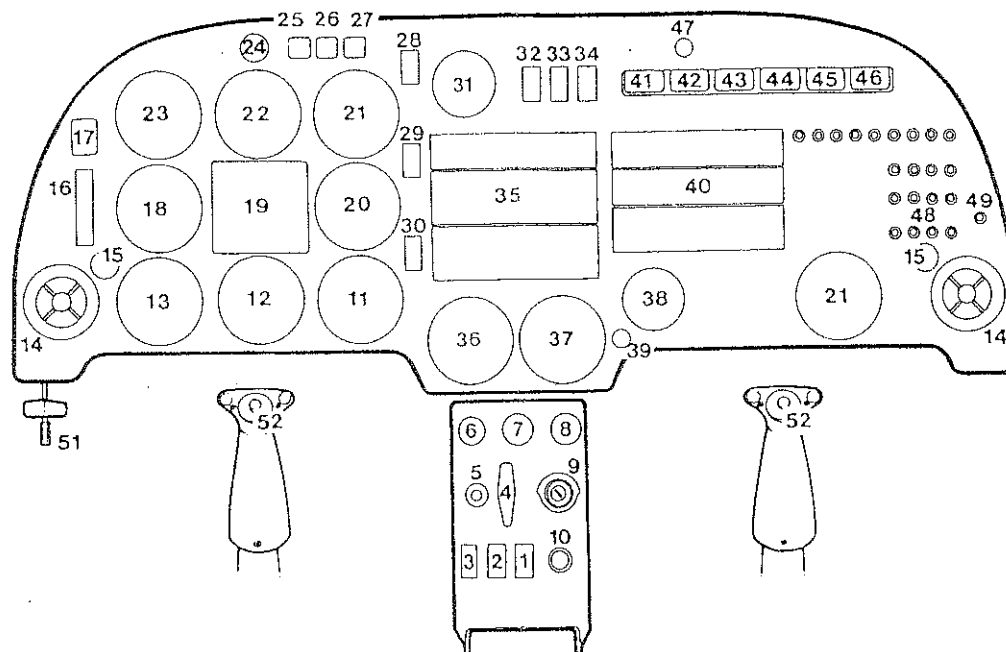
KEY

- | | |
|---|---------------------------------------|
| 1. EXCITATION SWITCH | 27. LANDING LIGHTS SWITCH |
| 2. MASTER SWITCH | 28. NAV LIGHTS SWITCH |
| 3. FUEL PUMP SWITCH | 29. STROBE LIGHT SWITCH |
| 4. FUEL CONTROL | 30. MAP LIGHT SWITCH |
| 5. STARTER BUTTON | 31. STOP WATCH CLIP |
| 6. THROTTLE CONTROL R/H | 32. CLOCK |
| 7. PROP. SPEED CONTROL | 33. RADIO PANEL |
| 8. MIXTURE CONTROL | 34. RADIO PANEL |
| 9. MAGNETO SWITCH | 35. TACHOURMETER |
| 10. HEATING CONTROL | 36. MANIFOLD/FUEL PRESSURE GAUGE |
| 11. ACCELEROMETER (PRE MOD 274) ADF (POST MOD 274) | 37. OIL PRESSURE GAUGE |
| 12. AIR VENT | 38. OIL TEMP GAUGE |
| 13. COLD AIR TO CABIN CONTROL | 39. FUEL CONTENTS GAUGE/LEFT TANK |
| 14. OUTSIDE AIR TEMP GAUGE | 40. FUEL CONTENTS GAUGE/RIGHT TANK |
| 15. PRESS TO TEST STRUCT. TEMP | 41. CYL. HEAD TEMPERATURE GAUGE |
| 16. TURN CO-ORDINATOR | 42. AMMETER |
| 17. DIRECTIONAL GYRO | 43. DIMMER SWITCH |
| 18. VERTICAL SPEED INDICATOR | 44. CIRCUIT BREAKERS |
| 19. ALTIMETER | 45. ALTERNATOR OUTPUT CIRCUIT BREAKER |
| 20. ARTIFICIAL HORIZON | 46. THROTTLE CONTROL L/H |
| 21. AIRSPEED INDICATOR | 47. MAGNETIC COMPASS |
| 22. HEATED PITOT SWITCH | 48. PRESS TO TRANSMIT SWITCH |
| 23. VACUUM GAUGE | 49. NAV1/VOR/LOC/GS (POST MOD 274) |
| 24. STALL WARNING LIGHT | 50. NAV2/VOR/LOC (POST MOD 274) |
| 25. STARTER ENGAGED W. LIGHT | 51. ACCELEROMETER (POST MOD 274) |
| 26. ALTERNATOR WARNING LIGHT | 52. ALTIMETER 2 (POST MOD 274) |

8.4A INSTRUMENT PANEL
(MOD 299)



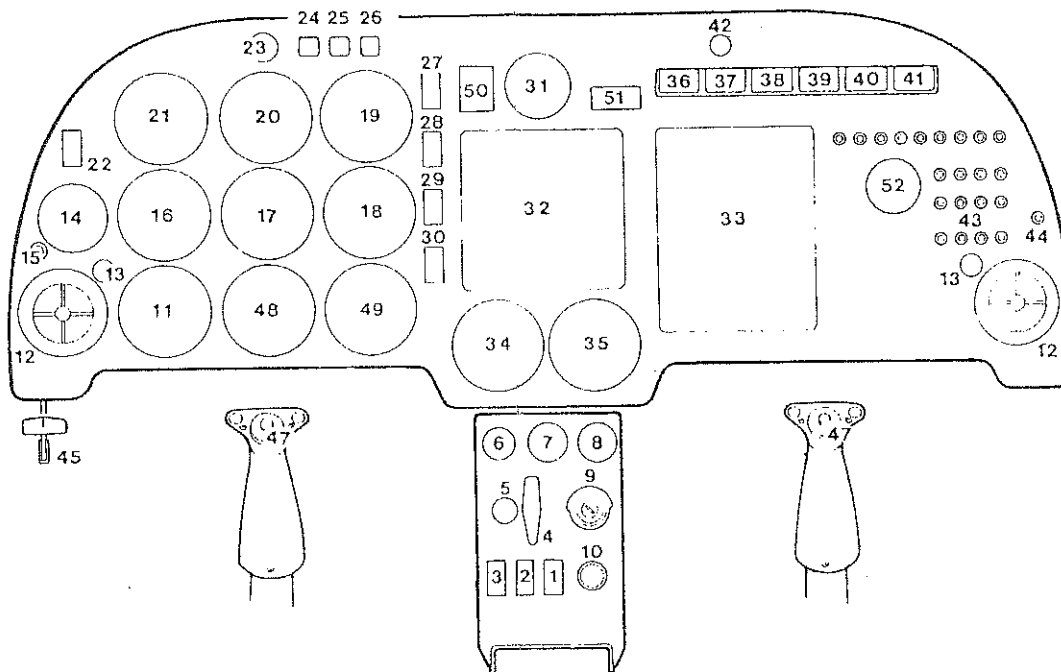
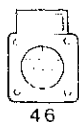
50



KEY

- | | |
|--|---------------------------------------|
| 1. EXCITATION SWITCH | 27. ALTERNATOR WARNING LIGHT |
| 2. MASTER SWITCH | 28. LANDING LIGHTS SWITCH |
| 3. FUEL PUMP SWITCH | 29. NORMAL/EMERGENCY PHONES SWITCH |
| 4. FUEL CONTROL | 30. HEATED PITOT |
| 5. STARTER BUTTON | 31. CLOCK |
| 6. THROTTLE CONTROL R/H | 32. NAV LIGHT SWITCH |
| 7. PROP. SPEED CONTROL | 33. ROTATING BEACON SWITCH |
| 8. MIXTURE CONTROL | 34. MAP LIGHT |
| 9. MAGNETO SWITCH | 35. AVIONICS PANEL |
| 10. CABIN HEAT CONTROL | 36. TACHOUR METER |
| 11. ADF | 37. MANIFOLD/FUEL PRESSURE GAUGE |
| 12. NAV 2 | 38. OUTSIDE AIR TEMPERATURE GAUGE |
| 13. ACCELEROMETER | 39. PRESS TO TEST STRUCTURAL TEMP |
| 14. AIR VENT (2 OFF) | 40. AVIONICS PANEL |
| 15. COLD AIR TO CABIN CONTROL (2 OFF) | 41. OIL PRESSURE GAUGE |
| 16. MKR BEACON RECEIVER | 42. OIL TEMP GAUGE |
| 17. SLAVING ACCESSORY AND COMPENSATOR UNIT | 43. FUEL CONTENTS GAUGE/LEFT TANK |
| 18. TURN CO-ORDINATOR | 44. FUEL CONTENTS GAUGE/RIGHT TANK |
| 19. PICTORIAL NAV INDICATOR | 45. CYL. HEAD TEMPERATURE GAUGE |
| 20. VERTICAL SPEED INDICATOR | 46. AMMETER |
| 21. ALTIMETER (2 OFF) | 47. DIMMER SWITCH |
| 22. ARTIFICIAL HORIZON | 48. CIRCUIT BREAKERS |
| 23. AIRSPEED INDICATOR | 49. ALTERNATOR OUTPUT CIRCUIT BREAKER |
| 24. VACUUM GAUGE | 50. MAGNETIC COMPASS |
| 25. STALL WARNING LIGHT | 51. THROTTLE CONTROL L/H |
| 26. STARTER ENGAGED WARNING LIGHT | 52. PRESS TO TRANSMIT SWITCH |

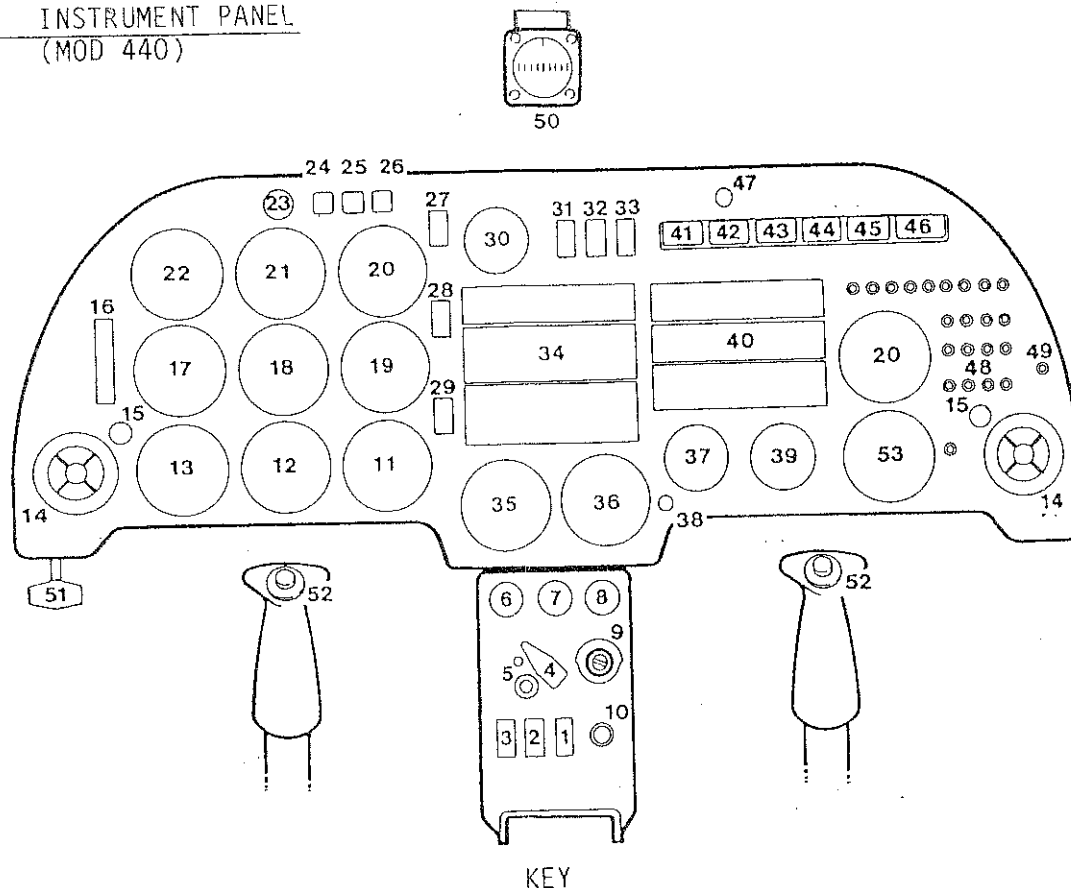
> 8.4B INSTRUMENT PANEL
(MOD 368)



KEY

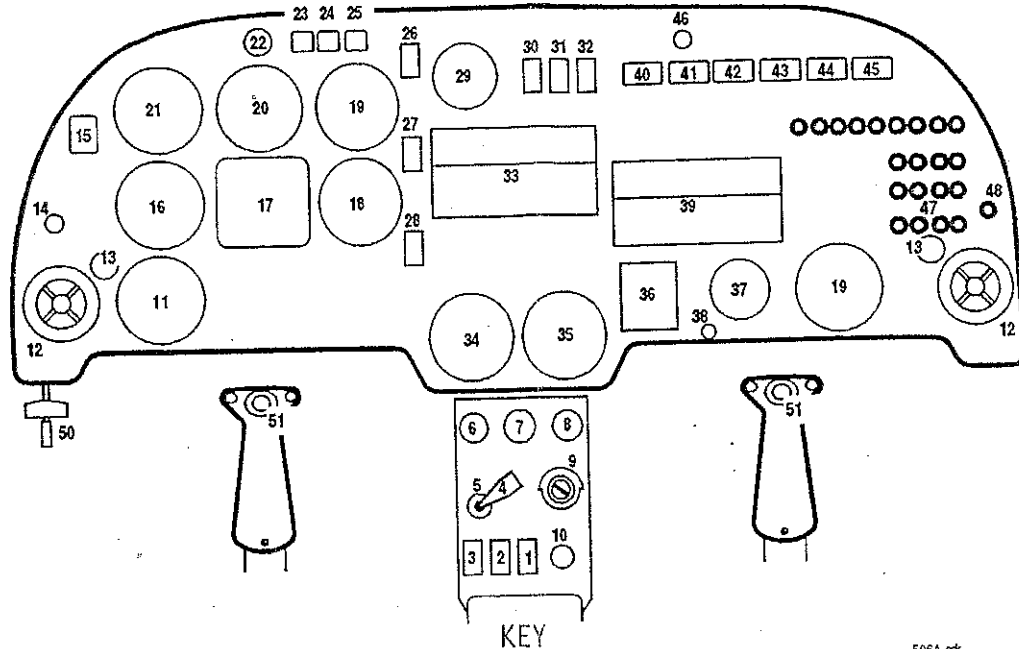
- | | |
|---------------------------------|---------------------------------------|
| 1. EXCITATION SWITCH | 27. LANDING LIGHTS SWITCH |
| 2. MASTER SWITCH | 28. NAV LIGHTS SWITCH |
| 3. FUEL PUMP SWITCH | 29. STROBE LIGHT SWITCH |
| 4. FUEL CONTROL | 30. MAP LIGHT SWITCH |
| 5. STARTER BUTTON | 31. CLOCK |
| 6. THROTTLE CONTROL R/H | 32. RADIO PANEL |
| 7. PROP. SPEED CONTROL | 33. RADIO PANEL |
| 8. MIXTURE CONTROL | 34. TACHOURMETER |
| 9. MAGNETO SWITCH | 35. MANIFOLD/FUEL PRESSURE GAUGE |
| 10. HEATING CONTROL | 36. OIL PRESSURE GAUGE |
| 11. ACCELEROMETER (PRE MOD 274) | 37. OIL TEMP GAUGE |
| 12. AIR VENT | 38. FUEL CONTENTS GAUGE/LEFT TANK |
| 13. COLD AIR TO CABIN CONTROL | 39. FUEL CONTENTS GAUGE/RIGHT TANK |
| 14. OUTSIDE AIR TEMP GAUGE | 40. CYL. HEAD TEMPERATURE GAUGE |
| 15. PRESS TO TEST STRUCT. TEMP | 41. AMMETER |
| 16. TURN CO-ORDINATOR | 42. DIMMER SWITCH |
| 17. DIRECTIONAL GYRO | 43. CIRCUIT BREAKERS |
| 18. VERTICAL SPEED INDICATOR | 44. ALTERNATOR OUTPUT CIRCUIT BREAKER |
| 19. ALTIMETER | 45. THROTTLE CONTROL L/H |
| 20. ARTIFICIAL HORIZON | 46. MAGNETIC COMPASS |
| 21. AIRSPEED INDICATOR | 47. PRESS TO TRANSMIT SWITCH |
| 22. HEATED PITOT SWITCH | 48. VOR INDICATOR |
| 23. VACUUM GAUGE | 49. ADF INDICATOR |
| 24. STALL WARNING LIGHT | 50. FLARES ARM SWITCH |
| 25. STARTER ENGAGED W. LIGHT | 51. PHONES SWITCH/LABEL |
| 26. ALTERNATOR WARNING LIGHT | 52. VOICE ACTIVATED INTERCOM |

8.4C INSTRUMENT PANEL
(MOD 440)



- | | |
|---|--|
| <ol style="list-style-type: none"> 1. EXCITATION SWITCH 2. MASTER SWITCH 3. FUEL PUMP SWITCH 4. FUEL CONTROL 5. STARTER BUTTON 6. THROTTLE CONTROL R/H 7. PROP. SPEED CONTROL 8. MIXTURE CONTROL 9. MAGNETO SWITCH 10. CABIN HEAT CONTROL 11. NAV 2 12. NAV 1 13. ADF 14. AIR VENT (2 OFF) 15. COLD AIR TO CABIN CONTROL (2 OFF) 16. MKR BEACON RECEIVER 17. TURN CO-ORDINATOR 18. DIRECTIONAL GYRO 19. VERTICAL SPEED INDICATOR 20. ALTIMETER (2 OFF) 21. ARTIFICIAL HORIZON 22. AIRSPEED INDICATOR 23. VACUUM GAUGE 24. STALL WARNING LIGHT 25. STARTER ENGAGED WARNING LIGHT 26. ALTERNATOR WARNING LIGHT 27. LANDING LIGHTS SWITCH | <ol style="list-style-type: none"> 28. NORMAL/EMERGENCY PHONES SWITCH 29. HEATED PITOT SWITCH 30. DIGITAL CLOCK 31. NAV LIGHTS SWITCH 32. ROTATING BEACON/W.TIP STROBE SWITCH 33. MAP LIGHT SWITCH 34. AVIONICS PANEL 35. TACHOURMETER 36. FUEL PRESSURE GAUGE 37. OUTSIDE AIR TEMPERATURE GAUGE 38. PRESS TO TEST STRUCTURAL TEMP 39. HOURMETER 40. AVIONICS PANEL 41. OIL PRESSURE GAUGE 42. OIL TEMP GAUGE 43. FUEL CONTENTS GAUGE/LEFT TANK 44. FUEL CONTENTS GAUGE/RIGHT TANK 45. CYL. HEAD TEMPERATURE GAUGE 46. AMMETER 47. DIMMER SWITCH 48. CIRCUIT BREAKERS 49. ALTERNATOR OUTPUT CIRCUIT BREAKER 50. MAGNETIC COMPASS 51. THROTTLE CONTROL L/H 52. PRESS TO TRANSMIT SWITCH 53. ACCELEROMETER |
|---|--|

8.4D INSTRUMENT PANEL
(Mod 506A)

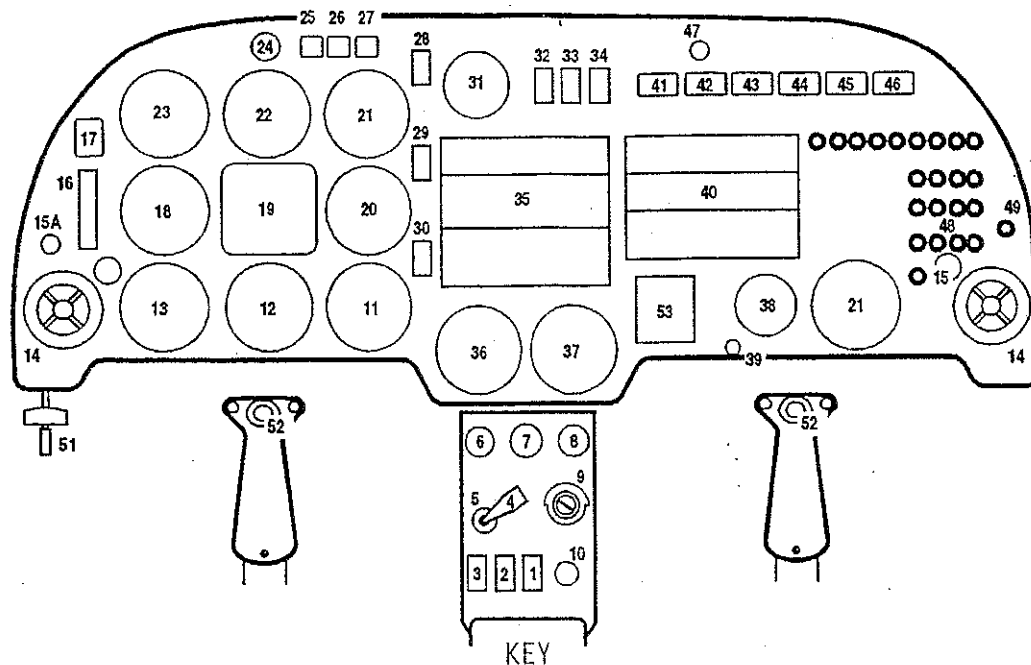
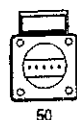


506A.cdr

- | | |
|--|---------------------------------------|
| 1. EXCITATION SWITCH | 27. NORMAL/EMERGENCY PHONES SWITCH |
| 2. MASTER SWITCH | 28. HEATED PITOT |
| 3. FUEL PUMP SWITCH | 29. CLOCK |
| 4. FUEL CONTROL | 30. NAV LIGHT SWITCH |
| 5. STARTER BUTTON | 31. ROTATING BEACON SWITCH |
| 6. THROTTLE CONTROL R/H | 32. MAP LIGHT |
| 7. PROP. SPEED CONTROL | 33. AVIONICS PANEL |
| 8. MIXTURE CONTROL | 34. TACHOURMETER |
| 9. MAGNETO SWITCH | 35. MANIFOLD/FUEL PRESSURE GAUGE |
| 10. CABIN HEAT CONTROL | 36. UHF RADIO |
| 11. ACCELEROMETER | 37. OUTSIDE AIR TEMPERATURE GAUGE |
| 12. AIR VENT (2 OFF) | 38. ROTARY SWITCH - STRUCTURAL |
| 13. COLD AIR TO CABIN CONTROL (2 OFF) | TEMPERATURE TEST |
| 14. EMERGENCY STATIC VENT | 39. AVIONICS PANEL |
| 15. SLAVING ACCESSORY AND COMPENSATOR UNIT | 40. OIL PRESSURE GAUGE |
| 16. TURN AND SLIP | 41. OIL TEMP GAUGE |
| 17. PICTORIAL NAV INDICATOR | 42. FUEL CONTENTS GAUG/LEFT TANK |
| 18. VERTICAL SPEED INDICATOR | 43. FUEL CONTENTS GAUGE/RIGHT TANK |
| 19. ALTIMETER (2 OFF) | 44. CYL. HEAD TEMPERATURE GAUGE |
| 20. ARTIFICIAL HORIZON | 45. AMMETER |
| 21. AIRSPEED INDICATOR | 46. DIMMER SWITCH |
| 22. VACUUM GAUGE | 47. CIRCUIT BREAKERS |
| 23. STALL WARNING LIGHT | 48. ALTERNATOR OUTPUT CIRCUIT BREAKER |
| 24. STARTER ENGAGED WARNING LIGHT | 49. MAGNETIC COMPASS |
| 25. ALTERNATOR WARNING LIGHT | 50. THROTTLE CONTROL L/H |
| 26. LANDING LIGHTS SWITCH | 51. PRESS TO TRANSMIT SWITCH |

PILOTS NOTES
FIREFLY T67M-MkII

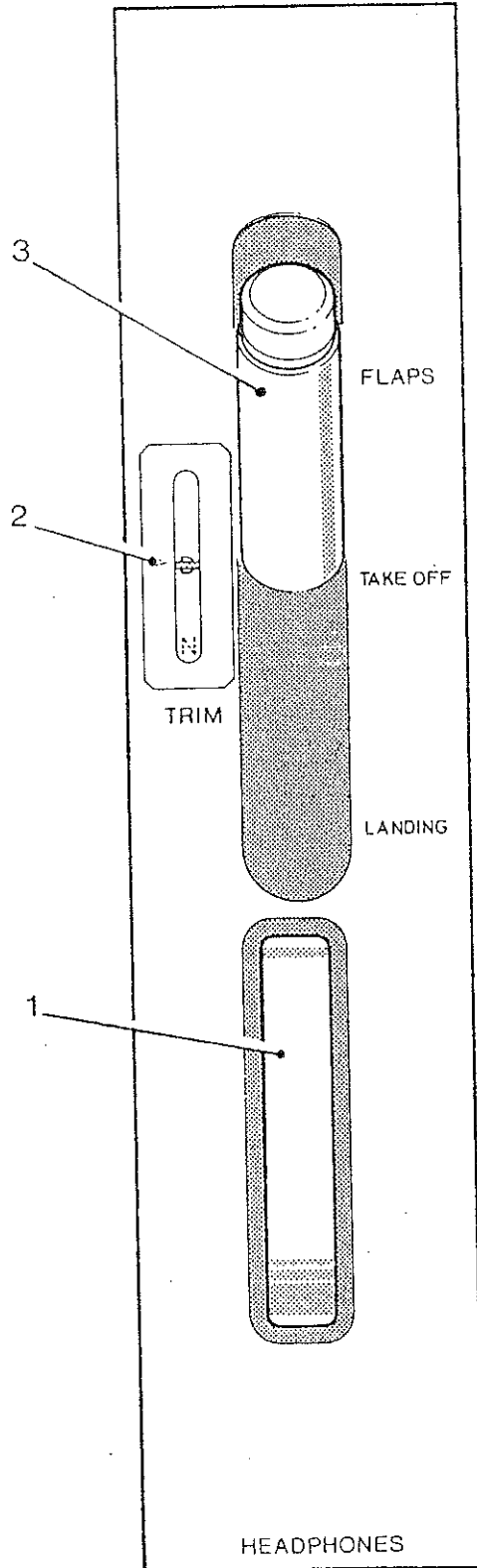
8.4E INSTRUMENT PANEL
(MOD 506B)



506B.cdr

- | | |
|---|---|
| <ol style="list-style-type: none"> 1. EXCITATION SWITCH 2. MASTER SWITCH 3. FUEL PUMP SWITCH 4. FUEL CONTROL 5. STARTER BUTTON 6. THROTTLE CONTROL R/H 7. PROP. SPEED CONTROL 8. MIXTURE CONTROL 9. MAGNETO SWITCH 10. CABIN HEAT CONTROL 11. ADF 12. NAV 2 13. ACCELEROMETER 14. AIR VENT (2 OFF) 15. COLD AIR TO CABIN CONTROL (2 OFF) 15A. EMERGENCY STATIC VENT 16. MKR BEACON RECEIVER 17. SLAVING ACCESSORY AND COMPENSATOR UNIT 18. TURN AND SLIP 19. PICTORIAL NAV INDICATOR 20. VERTICAL SPEED INDICATOR 21. ALTIMETER (2 OFF) 22. ARTIFICIAL HORIZON 23. AIRSPEED INDICATOR 24. VACUUM GAUGE 25. STALL WARNING LIGHT 26. STARTER ENGAGED WARNING LIGHT | <ol style="list-style-type: none"> 27. ALTERNATOR WARNING LIGHT 28. LANDING LIGHTS SWITCH 29. NORMAL/EMERGENCY PHONES SWITCH 30. HEATED PITOT 31. CLOCK 32. NAV LIGHT SWITCH 33. ROTATING BEACON SWITCH 34. MAP LIGHT 35. AVIONICS PANEL 36. TACHOURMETER 37. MANIFOLD/FUEL PRESSURE GAUGE 38. OUTSIDE AIR TEMPERATURE GAUGE 39. ROTARY SWITCH (STRUCTURAL TEMPERATURE TEST) 40. AVIONICS PANEL 41. OIL PRESSURE GAUGE 42. OIL TEMP GAUGE 43. FUEL CONTENTS GAUGE/LEFT TANK 44. FUEL CONTENTS GAUGE/RIGHT TANK 45. CYL. HEAD TEMPERATURE GAUGE 46. AMMETER 47. DIMMER SWITCH 48. CIRCUIT BREAKERS 49. ALTERNATOR OUTPUT CIRCUIT BREAKER 50. MAGNETIC COMPASS 51. THROTTLE CONTROL L/H 52. PRESS TO TRANSMIT SWITCH 53. UHF RADIO |
|---|---|

8.5 CENTRE CONSOLE



KEY

- 1. TRIMMER HANDWHEEL
- 2. TRIMMER POSITION IND.
- 3. FLAP CONTROL LEVER